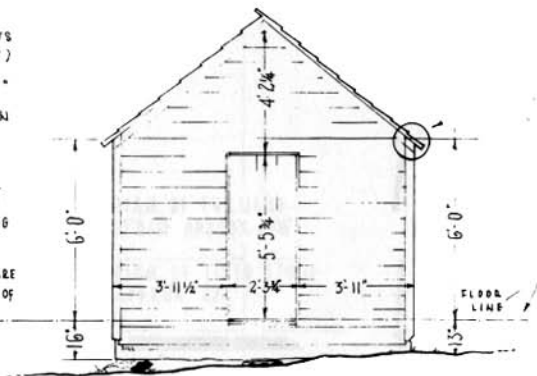


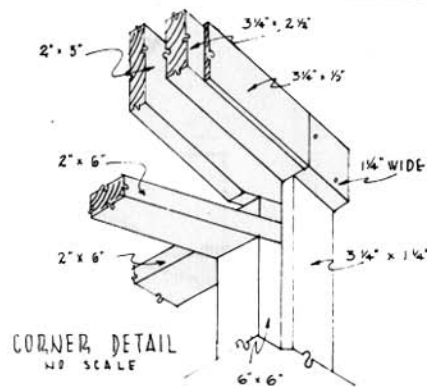
8 ROWS SHINGLES ON NORTH SIDE OF MILL & 9 ROWS ON SOUTH SIDE - 24" LONG & LAID 9" TO WEATHER - (63.25°) PLANED, YELLOW DOPLAR, CLAPBOARDS 1/2" BY 6 3/4" TO 7" NO EAVES, ONLY OVERHANG OF SHINGLES, CLAPBOARDS ON SIDES MEET SHINGLES DOOR, HINGED ON LEFT - OPENS IN

THE AMOUNT OF WATER ENTERING THE TUB-WHEEL COULD BE CONTROLLED FROM THE WINDOW ON THE SOUTH SIDE OF THE MILL BY RAISING AND LOWERING THE GATE IN THE FLUME

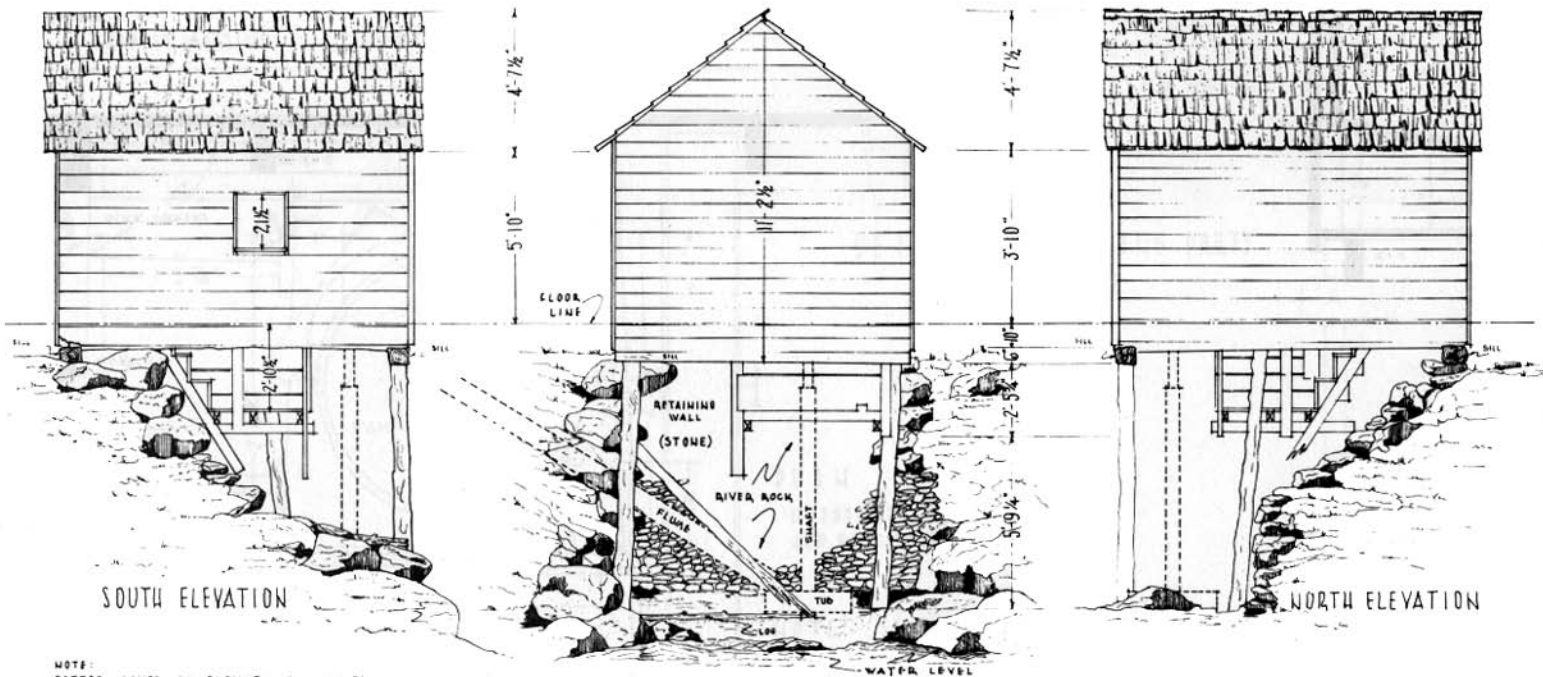
ALL PARTS OF THE MILL EXCEPT THOSE ON THE INSIDE ARE MISSING WITH THE EXCEPTION OF SEVERAL FRAGMENTS OF THE FLUME



WEST ELEVATION



CORNER DETAIL  
NO SCALE



SOUTH ELEVATION

EAST ELEVATION

NORTH ELEVATION

NOTE:  
DOTTED LINES ON ELEVATIONS INDICATE  
LOCATION OF FLUME, TUB, OR SHAFT - (ALL MISSING)

SCALE: 3/8" = 1'-0"

1 0 1 2 3 4 5 6 7 8 9 10 FEET

0 1 2 3 4 5 METERS

SAMUEL E HEWRY DEL 1887

FEDERAL OFFICE - DIVISION OF DESIGN AND CONSTRUCTION  
PHILADELPHIA  
UNDER DIRECTION OF UNITED STATES DEPARTMENT OF THE INTERIOR  
NATIONAL PARK SERVICE, BRANCH OF PLANS AND DESIGN

NAME OF STRUCTURE  
ALFRED REAGAN TUB MILL

ROARING FORK • GREAT SMOKEY MOUNTAINS NATIONAL PARK • SEVIER COUNTY • TENNESSEE

SURVEY NO.  
TENN  
165

HISTORIC AMERICAN  
BUILDINGS SURVEY  
SHEET 2 OF 4 SHEETS

LIBRARY OF CONGRESS  
PHOTO NUMBER