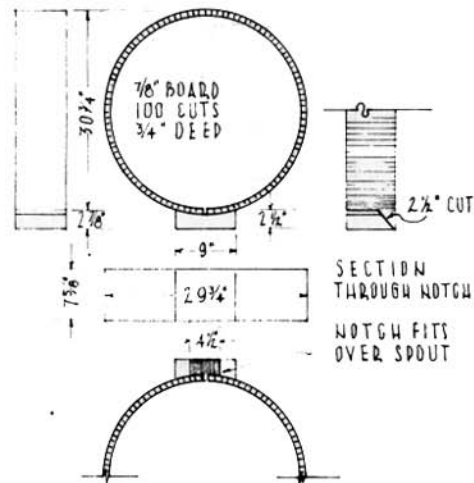


CONSTRUCTION OF THE  
MILL-STONE HOOD

THE HOOD WHICH HOUSES THE MILL STONES IS MADE FROM A SINGLE, WHITE PINE BOARD APPROXIMATELY 1" BY 7 1/2". THE HOOD IS CONSTRUCTED BY TAKING A BOARD WHICH HAS NOT GURED AND SAWING GROOVES ABOUT 3/4" OF THE WAY THROUGH THE BOARD AT INTERVALS OF ABOUT 1 INCH THEN BEND THE BOARD UNTIL THE ENDS ALMOST MEET IT MAY BE NECESSARY TO GO BACK AND SAW SEVERAL MORE GROOVES IN ORDER TO MAKE THE CIRCLE CLOSE THEN THE BOY (MARKED BY "A" IN ISOMETRIC DRAWING) IS WAILED IN PLACE TO HOLD THE HOOD.

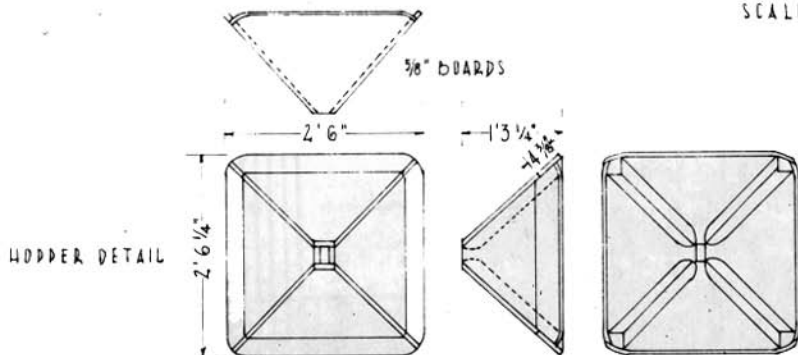


MILL-STONE HOOD DETAIL

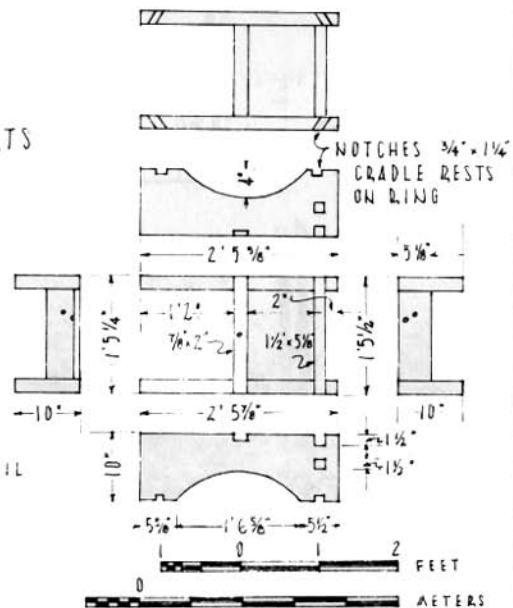
ISOMETRIC OF  
ASSEMBLED PARTS

DETAILS - REMAINING PARTS  
OF GRISTMILL

SCALE 1" = 1'-0"



HOPPER DETAIL



CRADLE DETAIL

SAMUEL E HENRY DEL. 1957